

**TEUPEN**<sup>®</sup>  
...access redefined

## LE024GT

Working height, max.:  
24,00 m

Horizontal outreach, max.:  
12,00 m

Width, min.:  
0,99 m

Height:  
1,99 m

Total weight:  
3.300 kg

- Compact design, travels through a one metre wide single door
- Light, low surface load for use on sensitive flooring
- Smooth, proportional electro-hydraulic controls
- Reliable and comprehensive safety control system
- Articulated design with two independently operable telescopic booms
- Automatic, multi-position and self leveling outriggers
- Height- and width adjustable tracks
- Dual Power (gas or Diesel and electric) for indoor and outdoor use

[www.TEUPEN.com](http://www.TEUPEN.com)

TEUPEN Maschinenbau GmbH  
phone +49 2562 8161 0  
fax +49 2562 8161 888  
mail@teupen.com



### True Performance - The new LE024GT

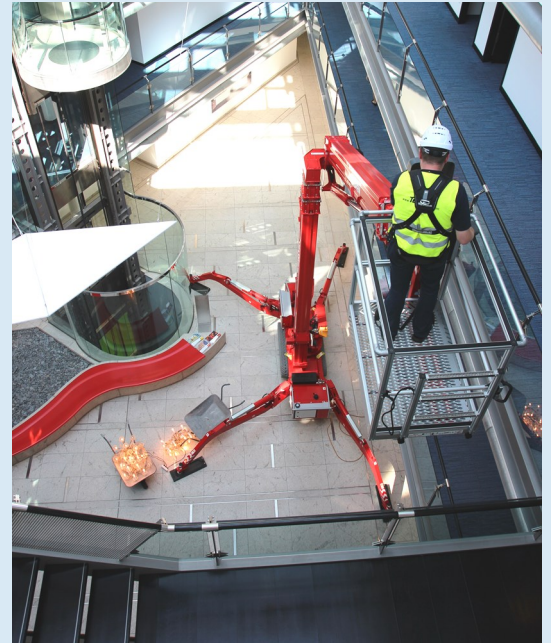
With the LEO Series<sup>®</sup>, TEUPEN offers the original tracked aerial lift in a complete range for demanding indoor and rugged outdoor applications from 12 to outstanding 50 metres working height.

The new LE024GT follows our new standards: With a platform capacity of 250 kg in the total working area reaches the machine a lateral outreach of 12 m and levels out height differences up to 30 % slope easily and safely - True performance.

# LEO24GT



For the transport of the LEO24GT we offer a subframe for a 7,5 t truck. For loading the machine will be lowered about the outrigger system.



The automatic outrigger system levels out height differences perfectly. Additionally, three different outrigger setup positions are available.



Corner-mounted, 180° turnable platform to swing around obstacles for extra flexibility on the job site.

## Top Features:

- Compact** – Fits through a one metre wide single door
- Light** – Low ground pressure to protect sensitive surfaces
- Versatile** – Highest maneuverability on white rubber tracks
- Easy** – Automatic, multi-position and self levelling stabilisers
- Simple** – Color coded and well-arranged control panel
- Power** – Multiple power sources for indoor and outdoor work



A clearly arranged control panel with interactive display and optional a „Coming home function“ for automatic return of boom into transport position.

# Technical data

# LEO 24GT

**TEUPEN**<sup>®</sup>  
...access redefined

since '77

## PERFORMANCE

Working height, max.	24,00 m
Platform height, max.	22,00 m
Horizontal outreach, max. (250 kg)	12,00 m
Platform capacity, max.	250 kg
Jib, movable	-
Platform, rotatable	180 °
Turntable rotation, max.	450 °
To be jacked up on ground slope of	19,0 ° / 34,0 %
Track drive, height- and width-adjustable	19 / 46 cm
Gradeability, max.	16,7 ° / 30,0 %
Slope angle, max.	19,0 ° / 34,0 %
Travel speed, max.	4,0 km/h

## MEASUREMENTS\*

Platform (height) (A)	1,10 m
Platform (length) (B)	1,20 m
Platform (width) (C)	0,80 m
Length (D)	6,40 m
Length without platform (E)	5,05 m
Height (F)	1,99 m
Width, min. (G)	0,98 m
Ground clearance, max. (H)	0,44 m
Track (length x width) (I)	1,45 x 0,20 m
Outrigger footprint both side wide (length) (J)	4,70 m
Outrigger footprint both side wide (width) (K)	4,70 m
Outrigger footprint one side narrow (length) (L)	6,30 m
Outrigger footprint one side narrow (width) (M)	3,65 m
Outrigger footprint both sides narrow (width) (N)	2,65 m
Outrigger plate Ø	0,18 m

## WEIGHT\*

Total weight	3300 kg
Live load in travelling position	5,06 kN/m <sup>2</sup>
Live load in working position	1,72 kN/m <sup>2</sup>
Point load per outrigger plate, max.	23,70 kN

## POWER SOURCES

Standard power sources:

■ Electric motor	(230 V, 12,9 A, 2,2 kW)
■ Combustion engine (petrol)	Vanguard OHV 16HP (11,93 kW / 16,0 hp)

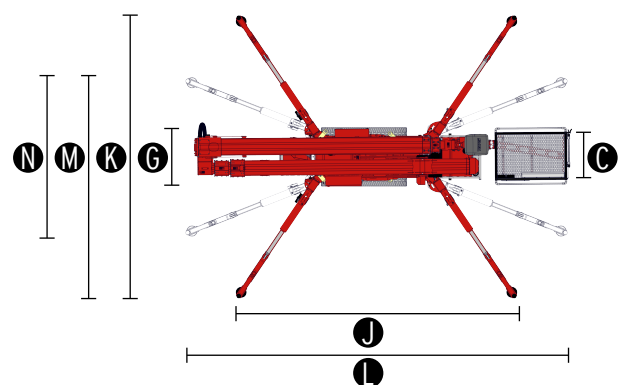
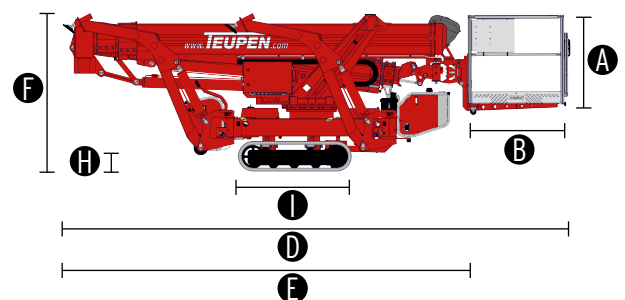
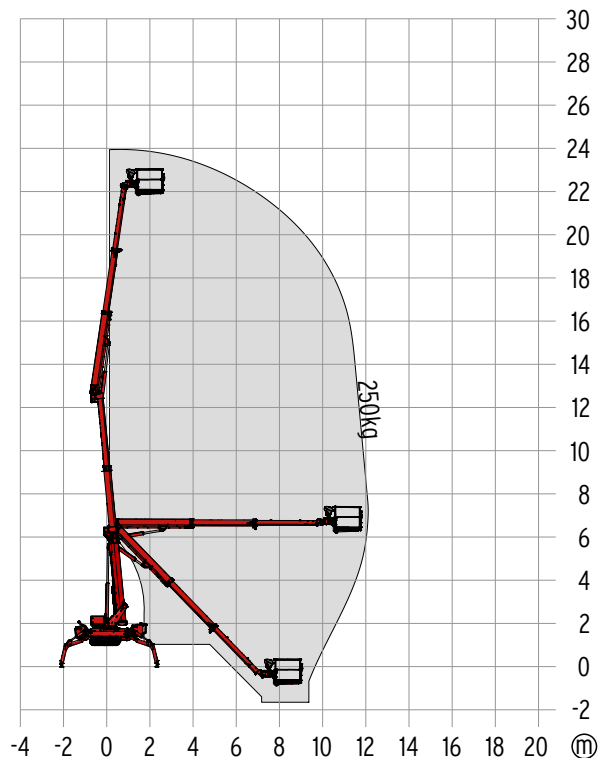
Optional power source:

■ Combustion engine (Diesel)	Kubota Z602 (10,8 kW / 14,5 hp)
■ Battery drive (AGM)	48 V
■ Battery drive (Li-Ion)	48 V

Fuel tank capacity (petrol engine)	11,5 l
Fuel tank capacity (Diesel engine)	11,5 l

## POWER SUPPLY

Electric current, max.	230 V / 16 A
------------------------	--------------



## STANDARDS

2006/42/EG-Machinery directive  
(Harmonised standard EN280:2013); 2004/108/EG (EMV);  
2000/14/EG (Noise emission directive)

\* The technical data may deviate +/- 3 % from the specified values.  
\* Weight and dimensions may vary depending on options and accessories.

## CHASSIS

- Powerful track drive with hydraulic braking system
- Precise manoeuvring via sensitive, electro hydraulic control panel
- Indoor non-marking rubber tracks, with less tread depth the profile enables smooth travelling
- Mechanically height- and width-adjustable track drive

## STABILISATION

- Electrohydraulic stabilisation with automatic levelling and ground pressure sensor system
- Variable outrigger system with one side or both sides narrow setup option
- Wear resistant, ant-friction outrigger pads

## BOOM SYSTEM

- Telescopic lower and upper boom
- All functions available from the platform
- Stepless, electrical proportional control system with intuitive operation
- Robust, lockable control panel
- Parallel guided platform with electro hydraulic levelling
- Corner mounted, 180° rotatable platform for extra flexibility
- Turntable rotation via high-performance slewing ring, worm gear and hydraulic motor

## POWER SOURCE

- Electric motor (230 V, 12,9 A, 2,2 kW)
- Petrol engine Vanguard OHV 16HP (11,93 kW / 16,0 hp)
- Start-stop device for combustion engine in the platform

## PRODUCTIVITY, SAFETY, QUALITY

- Hydraulic emergency lowering via hand pump
- Power socket in the platform (110 V / 16 A)
- Detachable platform, attachment points for safety harnesses and tool tray
- Drive operation without platform possible
- Protected, internal power track for platform control
- Hydraulic system filled with biodegradable hydraulic oil
- High-quality paint in RAL 3020 (red)
  - Hydraulic cylinders in RAL 9006 (grey)
- Unlockable check valves located directly on hydraulic cylinders
- Hydraulic system protected by pressure relief valves
- Hydraulic tank, emergency control, connecting cables and hoses are mounted protected
- Cable remote control as complete control panel for bottom connection, including storage box
- Hour meter
- Fuzzy control technology

## OPTIONS\*

- Diesel engine Kubota Z602 (10,8 kW / 14,5 hp)
- Battery drive (AGM) 48 V including charging device
- Battery drive (Li-Ion) 48 V, including charging device
- Custom paintwork, one colour, according to RAL scheme
  - (except metallic coatings, signal- or special colours)
- Custom paintwork, two colours, according to RAL scheme
  - (except metallic coatings, signal- or special colours)
- Hydraulically height- and width-adjustable crawler track drive
- Radio remote control
- Indoor non-marking rubber tracks, with less tread depth the profile enables smooth travelling

## ACCESSORIES\*

- Safety harness
- 4 sliding pads (700 x 220 x 60 mm)
- 2 protective track covers made of high-quality polypropylene fabric
- Track mat (2000 x 800 x 15 mm)
- Lifting device (300 kg capacity)
  - Only in combination with platform ladder monitoring system
- 4 covers, piston rod (outrigger)
- Tree package, including
  - Cover (control box, turntable)
  - 4 covers, piston rod (outrigger)
- 2 LED headlights (combustion engine)
- 2 LED headlights (battery drive)
- Coming home function - automatic return of the boom into transport position
- Platform ladder monitoring system with boom function cut-off
- Emergency lowering via electric pump, including additional hydraulic drive (12 V) for boom recovery via platform control
- TOP level 1

## SUBFRAME

- Subframe for truck Mitsubishi Canter (7,5 t)
  - Net weight subframe (450 kg)
- Subframe for truck Mercedes Atego (10,0 t)
  - Net weight subframe (450 kg)
- Subframe for truck Mercedes Atego (12,0 t)
  - Net weight subframe (460 kg)

## CONTACT

**TEUPEN Maschinenbau GmbH**  
Marie-Curie-Str.13  
48599 Gronau  
Germany

Phone +49 2562 8161-0  
Fax +49 2562 8161-888  
E-mail mail@teupen.com

\* Weight and dimensions may vary depending on options and accessories.

Product specifications are subject to change without notice or obligation. Photographs and drawings in this document are for illustrative purposes only. Refer to the appropriate Operator's Manual for instructions on the proper use of this equipment. Failure to follow the appropriate Operator's Manual when using our equipment or to otherwise act irresponsibly may result in serious injury or death. The only warranty applicable to our equipment is the standard written warranty applicable to the particular product and sale and we make no other warranty, expressed or implied. Products and services listed may be trademarks, service marks or trade-names of TEUPEN Maschinenbau GmbH and/or its subsidiaries in the U.S.A. and many other countries. "TEUPEN", "Access redefined" and "LEO Series" are registered Trademarks of Teupen GmbH in the United States of America and many other countries. © 2018 TEUPEN Maschinenbau GmbH.



2019-A\_en\_GB